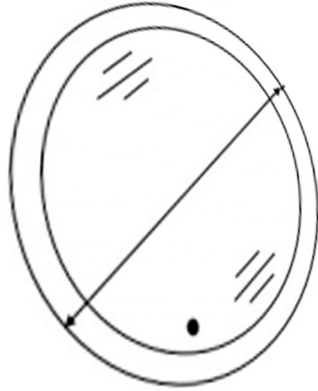


LED MIRROR INSTRUCTION MANUAL

Product : MLILMRL02



SAFETY INSTRUCTIONS

- The manufacturer advises the correct use of lighting fittings! Therefore always follow these instructions to ensure correct and safe installation and functioning of the fitting and keep it for future reference.
- Always isolate the power before commencing installation, maintenance or repair. If in doubt, consult a qualified electrician or contact your retail outlet.
- Ensure that you always install the fitting to the relevant regulations. Certain regulations indicate that lighting fittings should be installed by a qualified electrician. Always tighten the terminal screws firmly.
- Maintain interior lighting with a dry cloth duster, do not use abrasives or solvents.
- Avoid liquid on all electrical parts.
- Please mount wall lights out of children's reach.
- If the luminaire is mounted on a metallic surface, this surface must be bonded to the protective earth conductor or to the equipotential bonding conductor of the installation.

ATTENTION

- This fitting should only be installed indoors.
- The fitting is suitable for fixing to normal flammable surfaces.

WARRANTY

- 3 years warranty. Glass and frame do not fall under the guarantee terms. Any damage caused to the light fitting in extreme conditions (coastal areas, industrial surroundings, farm environments) will not be covered by the guarantee.
- The period of guarantee starts from the purchase date and is only valid on presentation of the receipt. The guarantee is void if the fitting was not installed following the instructions or repaired or modified.
- The manufacturer does not accept any liability for damage caused as a result of misuse or wrong application of the fitting.

INSTALLATION

Operation Instructions

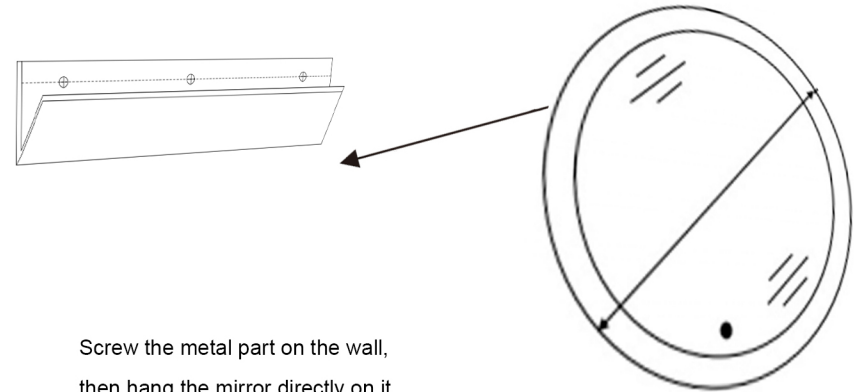
Power button: Short click the power button to turn on or off the light, double-click the button to switch color temperature(cold, natural, warm).

Dimming: The brightness can be adjusted by long pressing the button.

Body sensor switch: Sensing distance is $1.2M \pm 0.2M$, when a person walks away for 30 seconds, it will turn off.

Installation

This product needs to be installed. Installation space is on the back.



Screw the metal part on the wall,
then hang the mirror directly on it

Note: This product is glass product, it is fragile. Please handle with care.