

Product: Standard Wall Pack
Model Number(s): MLWPXW



Product

Meomi Lighting energy efficient high quality wallpacks. Made with high quality efficiency LED chips and high quality materials for all your project needs. Our wallpacks come with industry leading warranty package.

LED Details

Luminous Efficacy: 100/120/130 Lumens/Watt
CRI \geq 80
Colour Offerings: 3000/4000/5000/6000 K
Life: 50,000 Hours

Electrical

Voltage:100-277 VAC/347-480 VAC
Power: 30/40/60/80/100/120/150 Watt
Power Factor \geq .95
Dimmable: Optional (0-10V)
Surge Protector – Optional
Photocell & Microwave Sensor - Compatible

Materials

High pressure aluminum die casting
Silicon rubber gasket
Anti-static powder painting
Borosilicate glass lens
High quality LED chips
Aluminum heat sink directly attached to the housing



Warranty

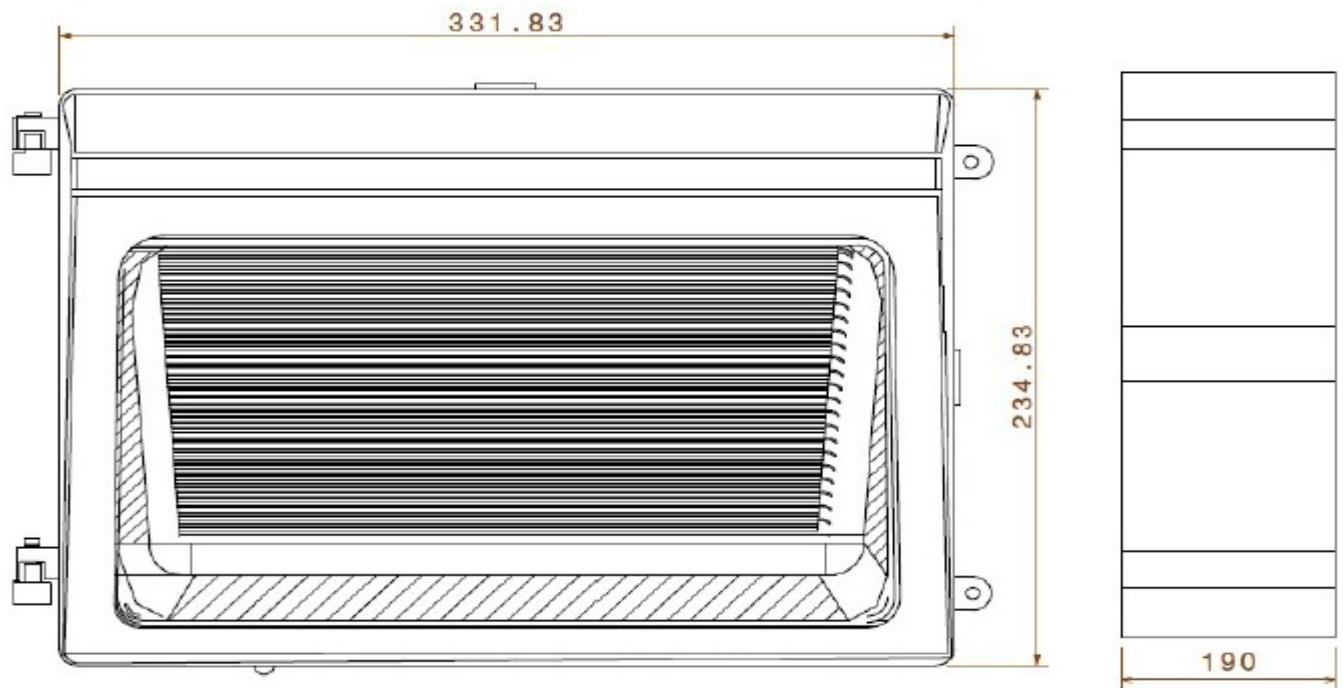
60 months from shipment

Certification

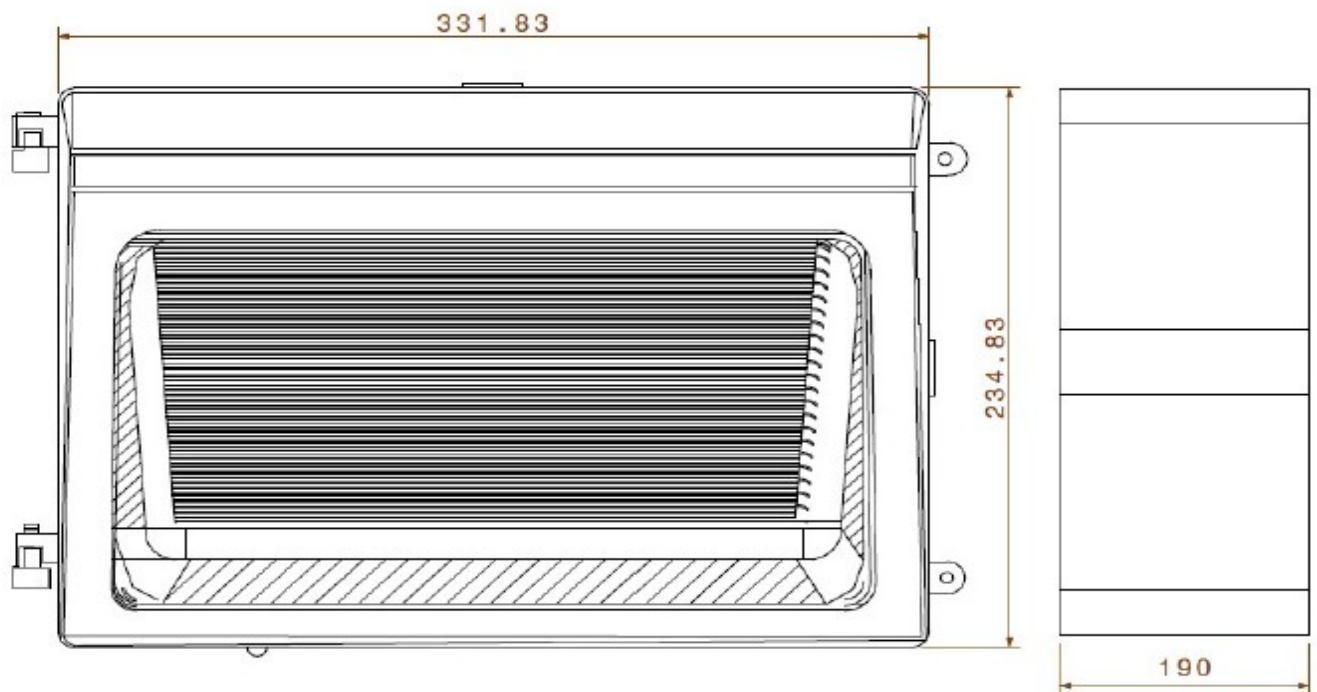


Dimensional Drawings (Dimensions in mm)

40 Watt Wall Pack



60 Watt Wall Pack

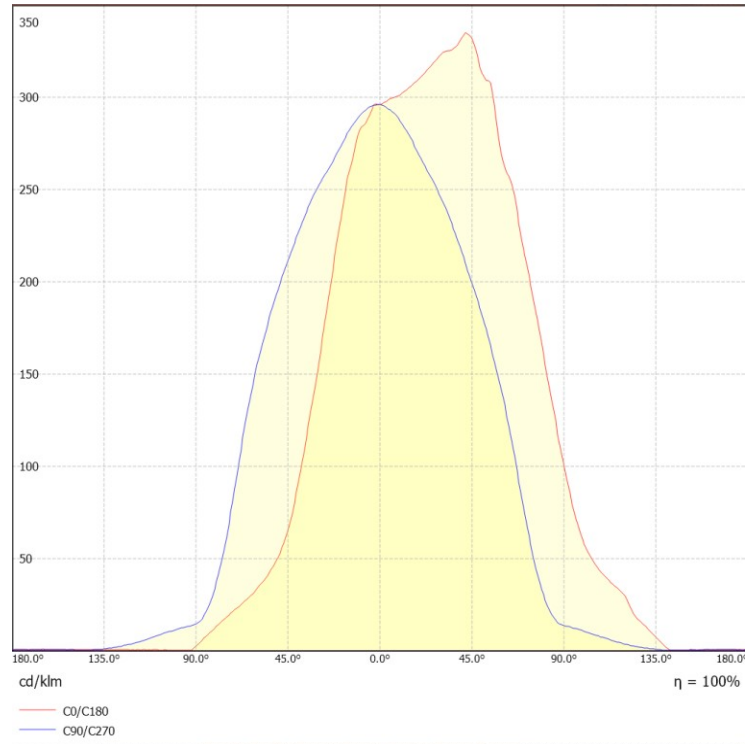
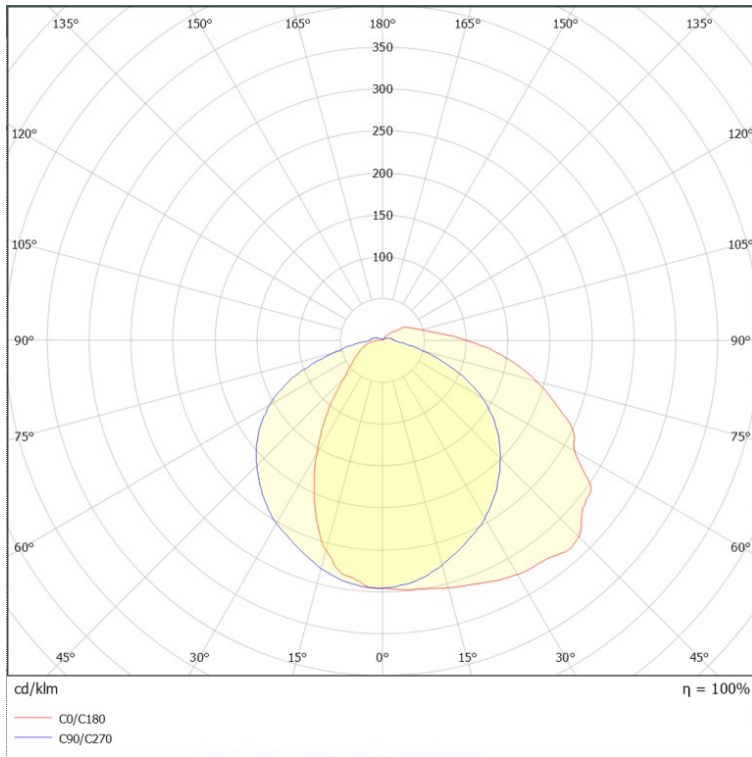


Technical Specification:

Power (Watt)	Input Voltage (V)	Luminous Efficacy (Lm/Watt)	Lumen Output (Lumens)	Typical CCT (K)	CRI
30	100-277 V AC Or 347-480 V AC	100	3000	3000/4000/5000/6000	80
40			4000		
60			6000		
80			8000		
100			10000		
120			12000		
150		15000			
30		120	3600		
40			4800		
60			7200		
80			9600		
100			12000		
120			14400		
150		18000			
30		130	3900		
40	5200				
60	7800				
80	10400				
100	13000				
120	15600				
150	19500				



Photometric view:



Please note the following:

- * Product details are subject to change without prior notice
- * Please contact nearest Meomi Lighting team/representative for all engineered solutions requirements
- * Products may vary from the picture(s) provided in this data sheet