

Product Type: Troffer  
Model Number(s): MLT2X2XW/MLT2X4XW



## Product

Meomi Lighting energy saving high quality troffer. Made with high efficiency LED chips and high quality materials for all your project needs. Our troffers come with industry leading warranty package.

## LED Details

Luminous Efficacy: 100/110/130/150 Lumens/Watt  
CRI≥80 or 83  
Colour Offerings: 3000/4000/5000 DK  
Life: 50,000 Hours

## Electrical

Voltage:100-277 VAC/347 VAC  
Power: 20/24/30/40/50/60 Watt  
Power Factor≥90  
Dimming: Optional  
0-10V Dimming

## Materials

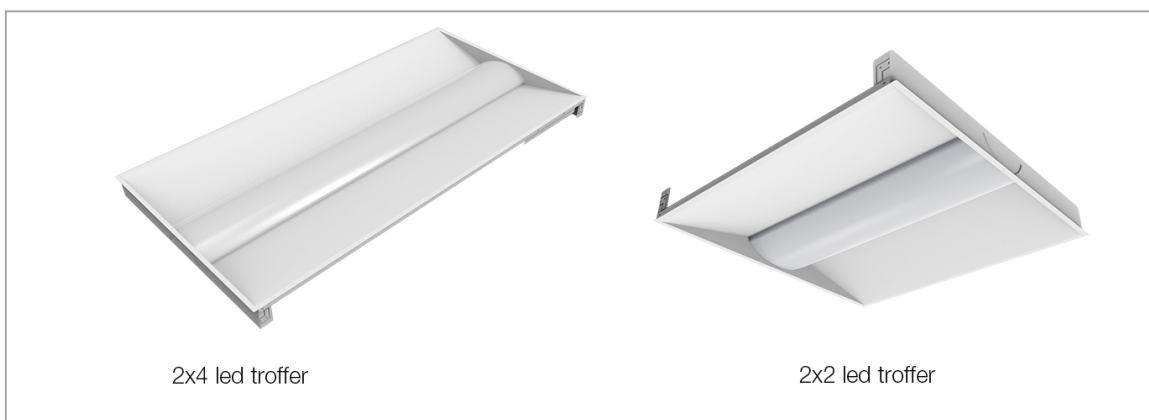
Painted Steel  
Commercial standard paint coating  
Ultraviolet coated lens  
High quality LED chips  
Large size MCPCB for efficient temperature management



## Warranty

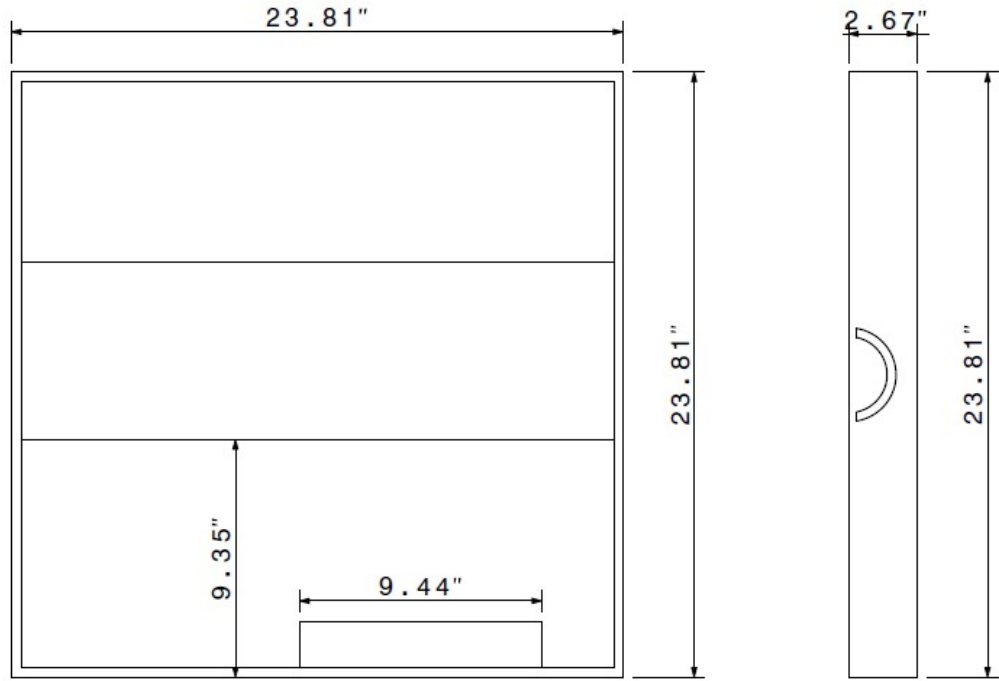
60 months from shipment

## Certification

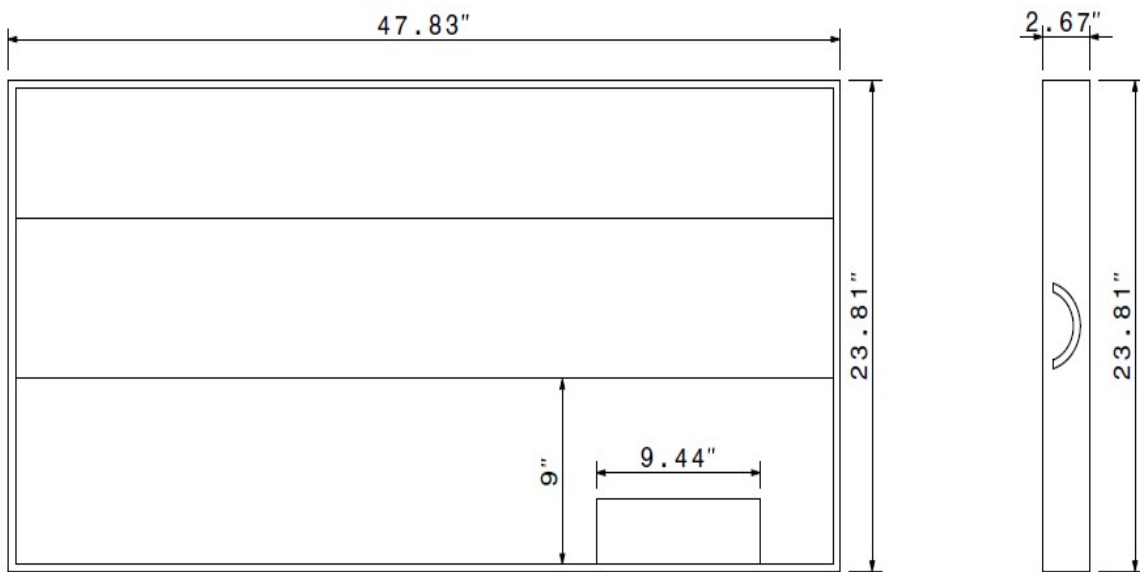


# Dimensional Drawings (Dimensions in Inches)

## 2x2 Troffer



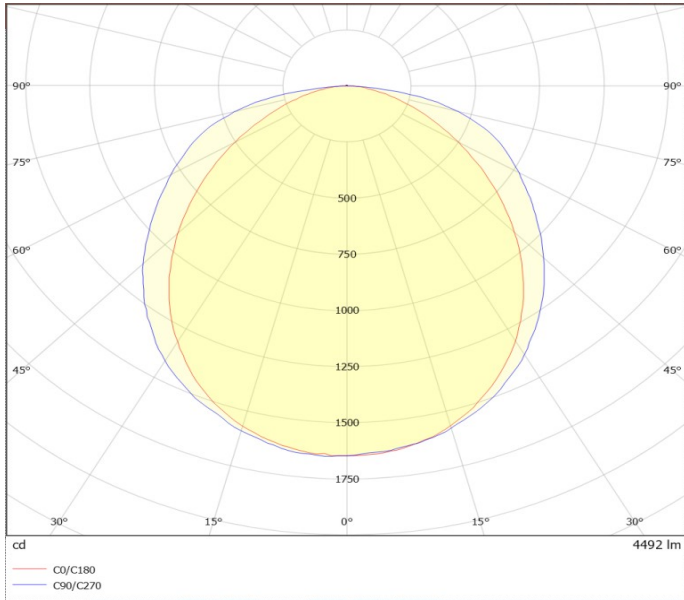
## 2x4 Troffer



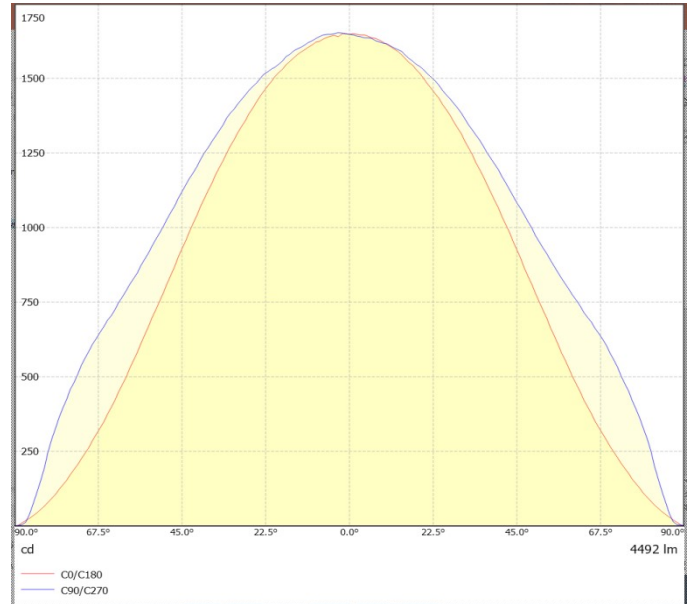
## Technical Specifications :

Luminous Efficacy (Lm/Watt)	Dimensions (FT)	Power (Watt)	Input Voltage (V)	Lumen Output (Lumens)	3 CCT Tunable (K)	CRI	
<b>100 (Lm/Watt)</b>	2*2, 2*4	20	100-277 V AC	2000	3000K, 4000K, 5000K	80 or 83	
		24		2400			
		30		3000			
		40		4000			
		50		5000			
		60		6000			
<b>110 (Lm/Watt)</b>		20		347 V AC (Optinal)			2200
		24					2640
		30					3300
		40					4400
		50					5500
		60					6000
<b>130 (Lm/Watt)</b>		20	347 V AC (Optinal)				2600
		24					3120
		30					3900
		40					5200
		50					6500
		60					7800
<b>150 (Lm/Watt)</b>		20		347 V AC (Optinal)			3000
		24					3600
		30					4500
		40					6000
		50					7500
		60					9000

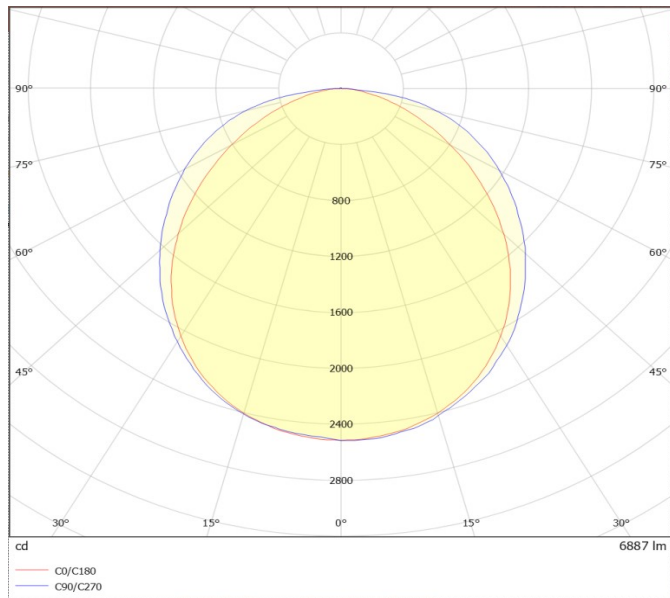
# Photometric View :



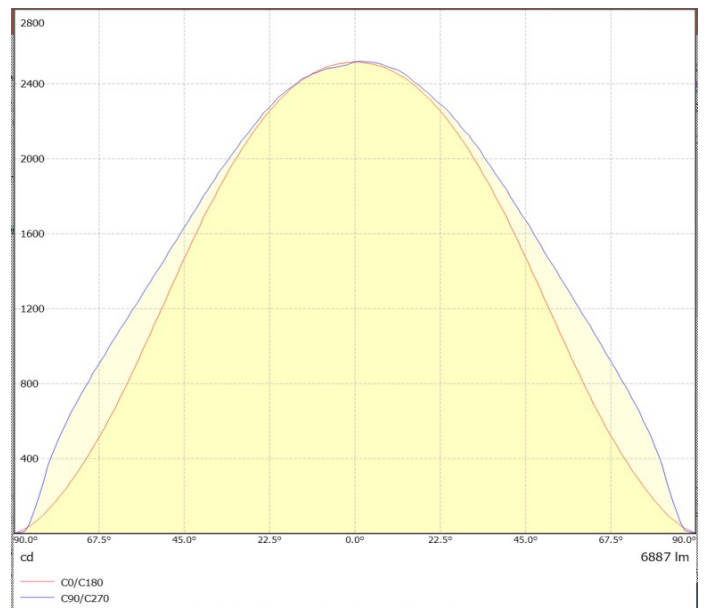
2x2 Troffer



Planner Illuminance Curve 2X2 Troffer



2x4 Troffer



Planner Illuminance Curve 2X4 Troffer

**Please note the following:**

- \* Product details are subject to change without prior notice
- \* Please contact nearest Meomi Lighting team/representative for all engineered solutions requirements
- \* Products may vary from the picture(s) provided in this data sheet

Meomi Lighting Inc.  
 300-22 King Street South  
 Waterloo, ON  
 Tel: 226.499.8547  
 Fax: 519.279.0162  
 Email: [reachout@meomilighting.com](mailto:reachout@meomilighting.com)  
[www.meomilighting.com](http://www.meomilighting.com)