

Product: Slim Downlight
Model Number(s): MLSDLXW



Product

Meomi Lighting energy efficient high quality slim downlight. Made with high quality materials throughout. Meomi slim downlights come with industry leading Warranty package.

Shape Offerings: Round, Square

Dimension offerings: Circular-3", 4", 6", 8", 10", 12"
Square-4", 6" 8", 12"

LED Details

Luminous Flux: 70-80 Lumens/Watt

CRI \geq 80

Colour Offerings: 2700-5000 K

Life: 50,000 Hours

Beam Angle: 110 $^{\circ}$ - 120 $^{\circ}$

Electrical

Voltage:100-277 VAC

Power: 6/9/12/13/15/18/24 Watt (Round)

9/15/18/24/36 Watt (Square)

Power Factor \geq .90

Dimming: Optional (0-10V)

Materials

Housing: Aluminum

Finish: White

Lens: Polycarbonate diffuser lens

High Quality LED chips



Warranty

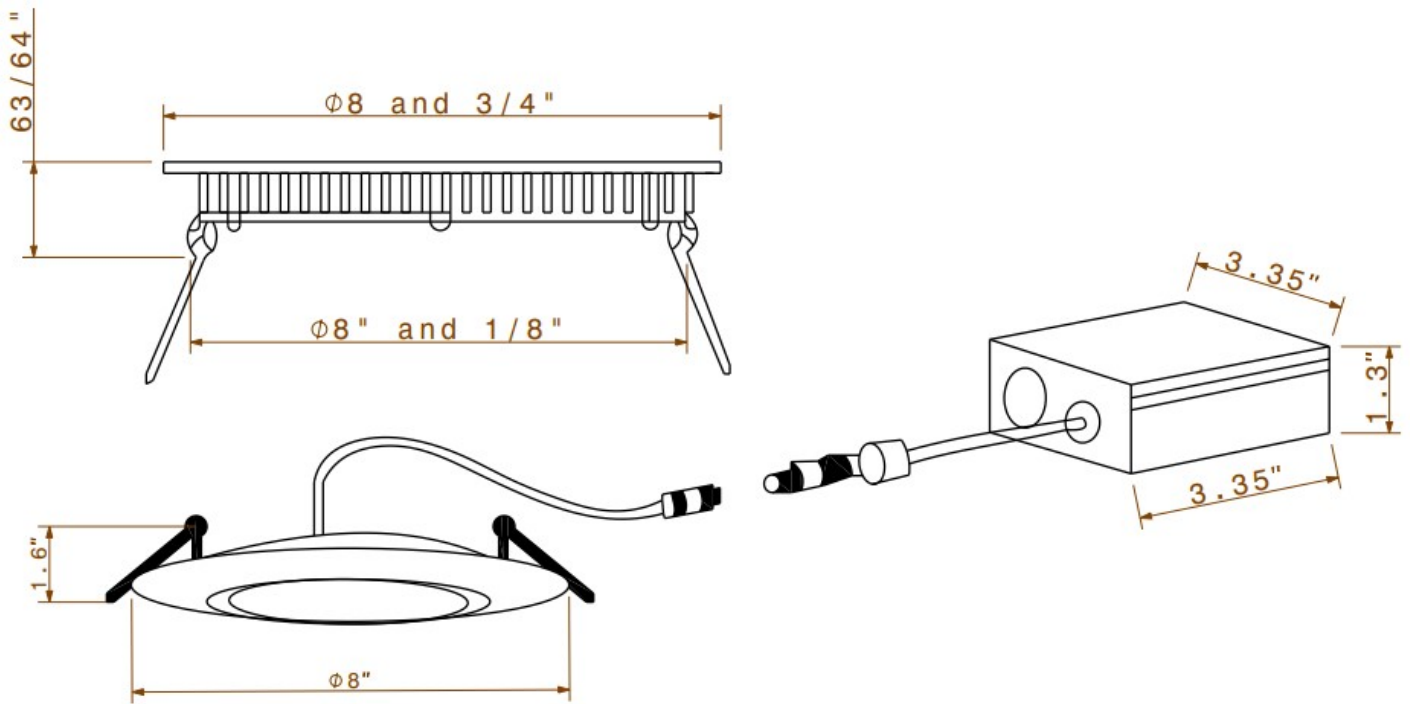
60 months from shipment

Certification

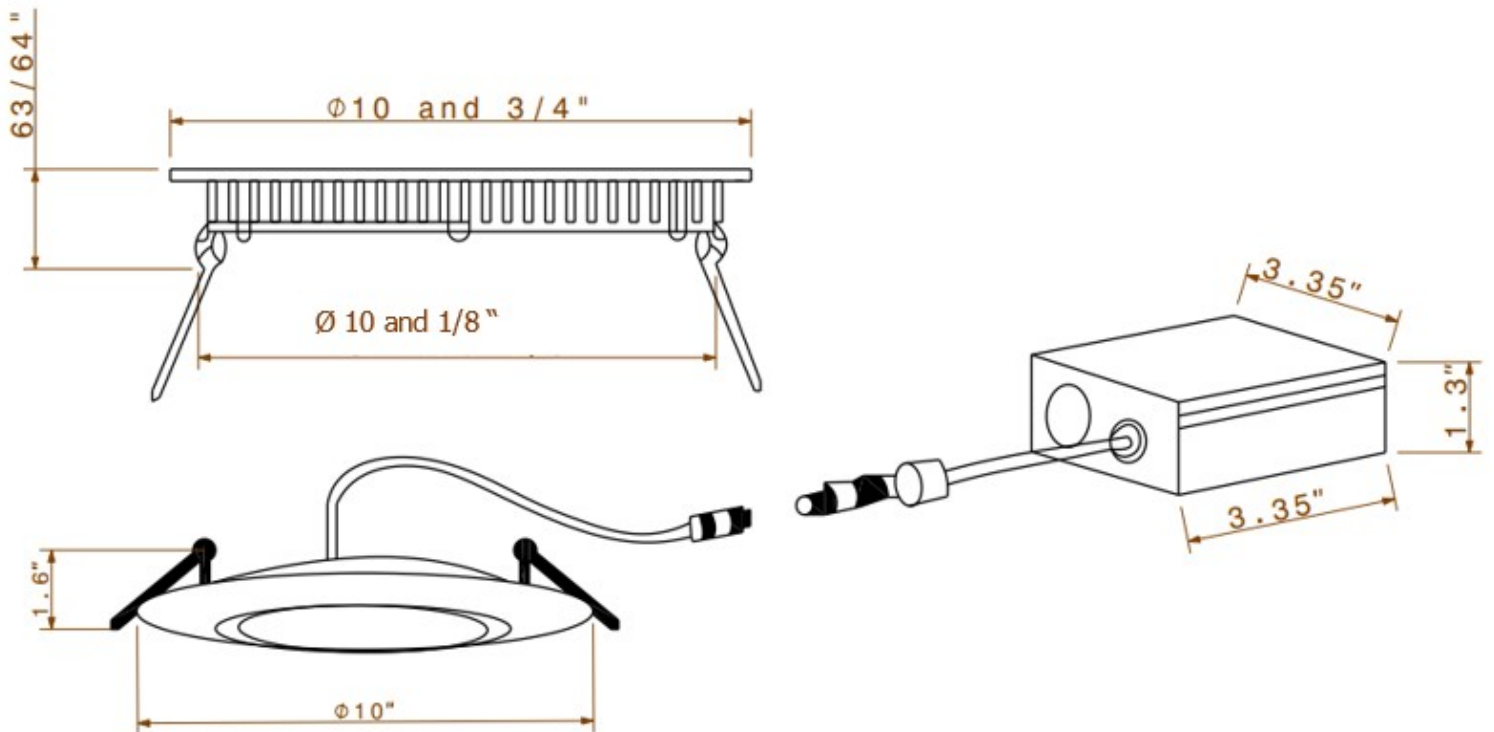


Dimensional Drawing:

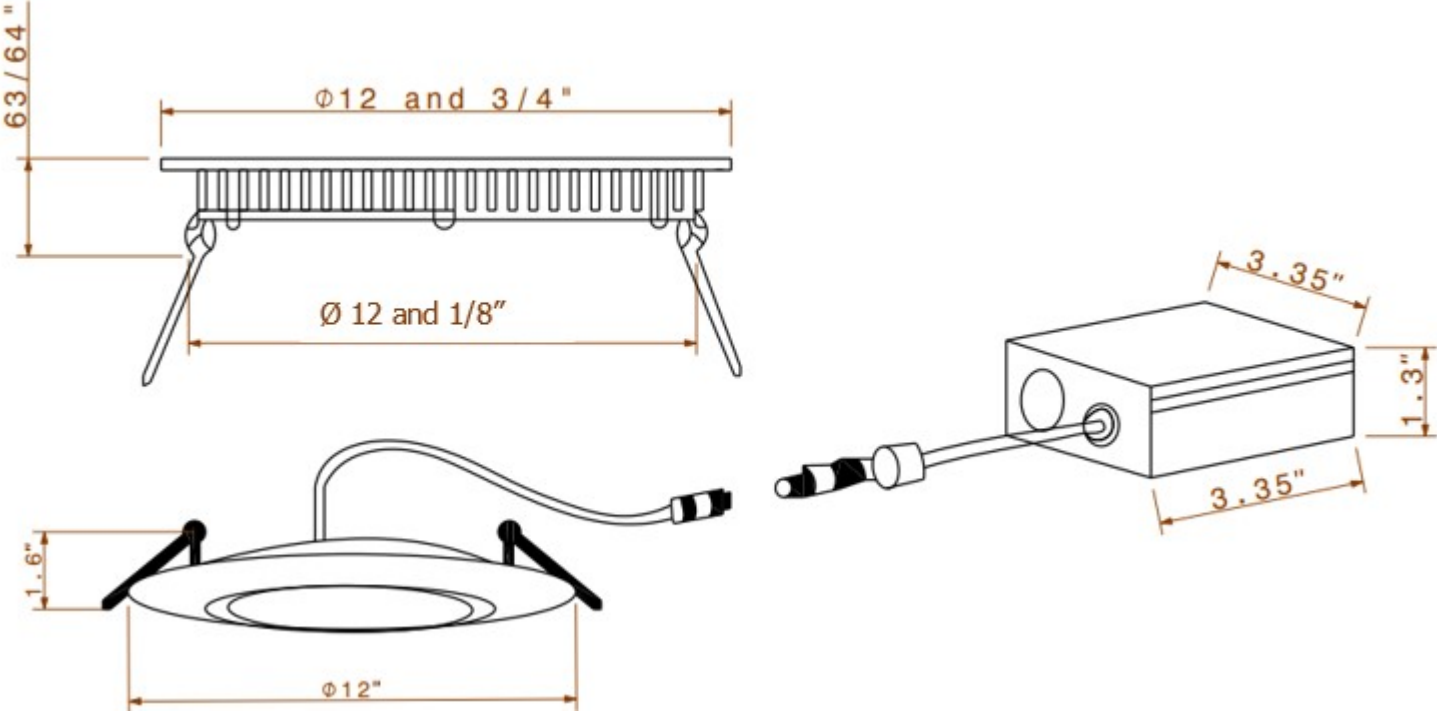
8" Downlight:



10" Downlight:



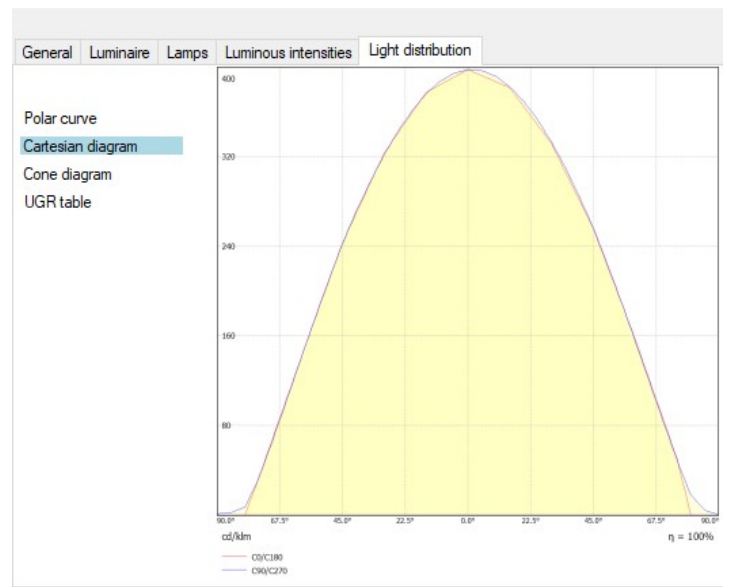
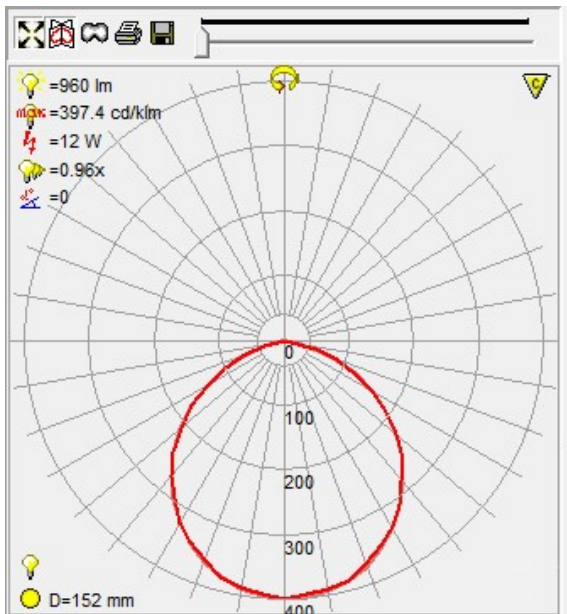
12" Downlight:



Technical Specification (Round Downlight):

Power (Watt)	Input Voltage (V)	Luminous Efficacy (Lm/Watt)	Lumen Output (Lumens)	Typical CCT (K)	CRI
6	100-277 V AC	70	420	2700-5000	80
9			630		
12			840		
13			910		
15			1050		
18			1260		
24		1680			
6		80	480		
9			720		
12			960		
13			1040		
15			1200		
18			1440		
24		1920			

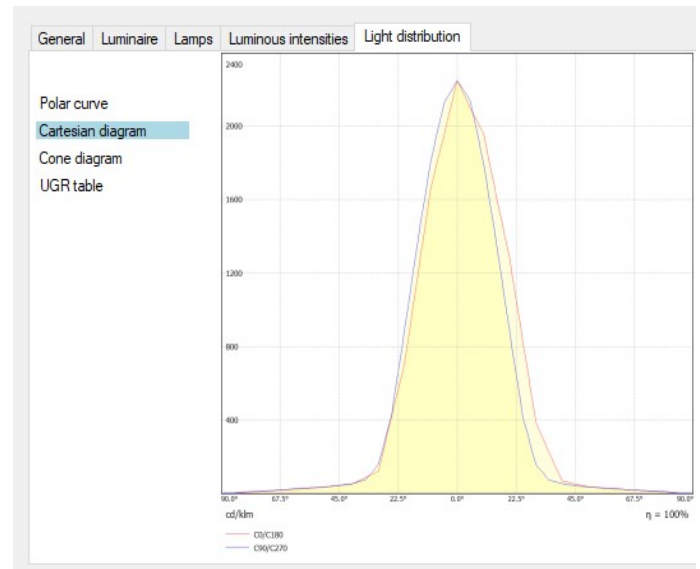
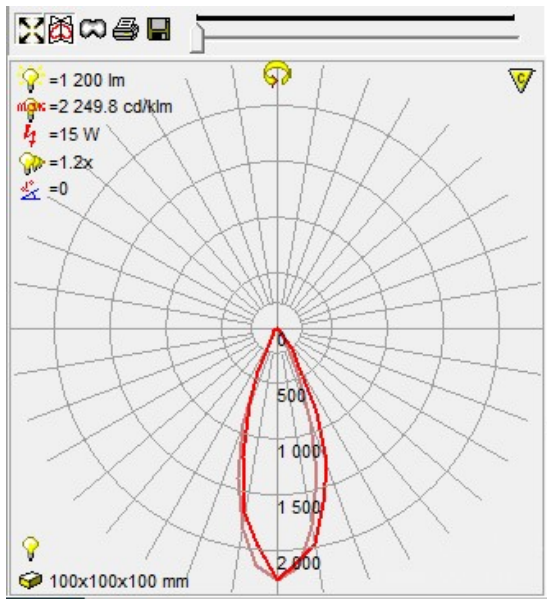
Photometric View of Round Downlight:



Technical Specification (Square Downlight):

Power (Watt)	Input Voltage (V)	Luminous Efficacy (Lm/Watt)	Lumen Output (Lumens)	Typical CCT (K)	CRI
9	100-277 V AC	70	630	2700-5000	80
15			1050		
18			1260		
24			1680		
36			2520		
9		80	720		
15			1200		
18			1440		
24			1920		
36			2880		

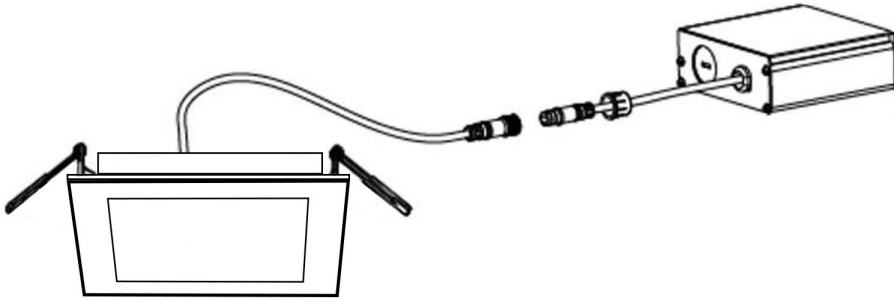
Photometric View of Square Downlight:



Installation – Round Downlight:



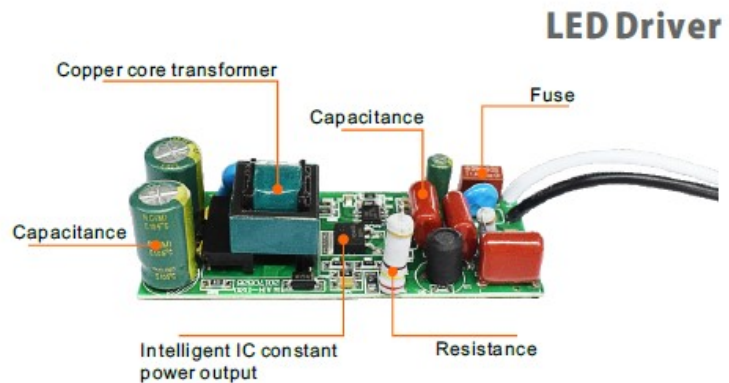
Installation – Square Downlight:



Installation Instruction:

1. Isolate Power
2. Cut the hole for the Downlight Housing
3. Install the remote LED driver and set up the connection
4. Install the Downlight
5. Turn on Power

Aluminum Junction Box



Safety Instructions:

Warning: Please strictly follow the safety instruction.

- Must be installed by professional electrician.
- Ensure the power is switched off before installation.
- Use the designated voltage range.
- Light can never be covered by heat insulation pad or similar materials.
- Do not light up the light fixture without proper grounding.
- Non Certified professionals are not allowed to disassemble and service this product.



Please note the following:

- * Product details are subject to change without prior notice
- * Please contact nearest Meomi Lighting team/representative for all engineered solutions requirements
- * Products may vary from the picture(s) provided in this data sheet

Meomi Lighting Inc.
300-22 King Street South
Waterloo, ON, N2J 1N8
Tel: 226.499.8547
Fax: 519.279.0162

Email: reachout@meomilighting.com
www.meomilighting.com