

Product: LED – Track Light  
Product Code(s): MLILTL36



### Product Details

Type: Integrated LED –Track Light

Usage: Indoor Dry Location

Mounting: Ceiling/Track/Wall

Materials: Metal and Acrylic Diffuser

Power: 20W

Voltage: 120-277 V AC

Dimmable: TRIAC Dimming

Beam angle: 15°/24°/36°

Power Factor: >0.95

Light Source: LED

LED working hours: 30,000

Luminous Efficacy: 90-100 Lumens/Watt

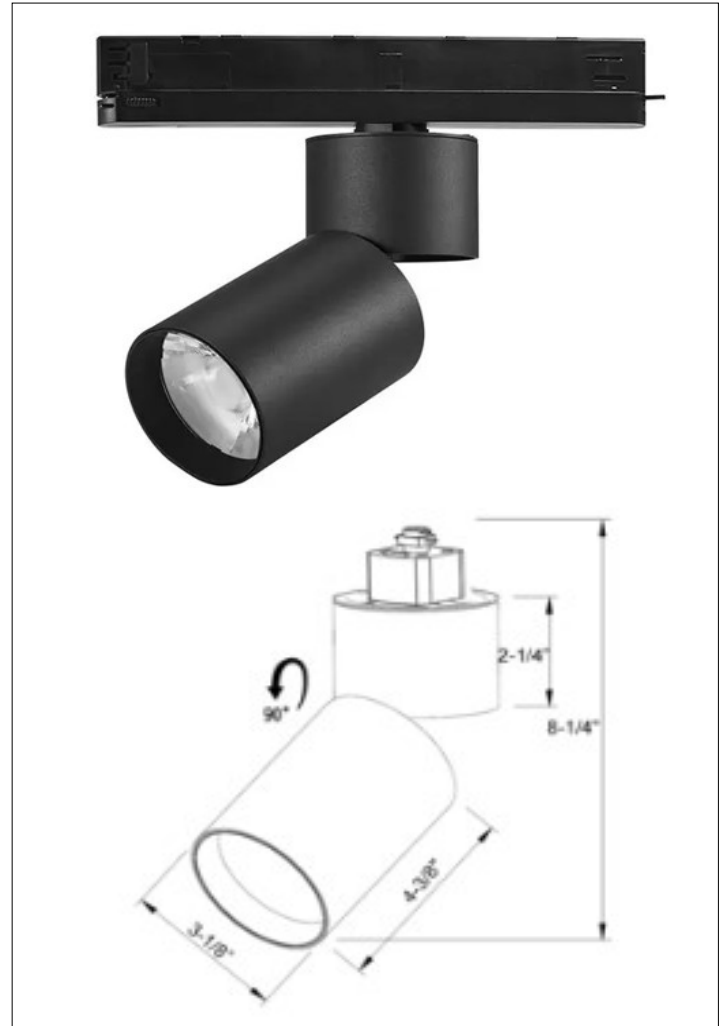
Lumen Output: 1800 Lumens

LED Colour Temperature: 2700/3000/3500/4000/5000/6000K

CRI>90

Dimensions(inch): 3.125 (Dia) X 8.25 (H)

Other dimensions: As per the Drawing



### Warranty

36 Months from Shipment

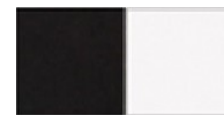
### Certification



Powder Coated Finish: Black (BK), White (WH)

\*\* Custom finish as requested

### Powder coated finishes



Black  
(BK)

White  
(WH)

### Disclaimer:

\* Product details are subject to change without prior notice

\* Please contact nearest Meomi Lighting team/representative for all engineered solutions requirements

\* Products may vary from the picture(s) provided in this data sheet