

Product: LED – Track Light
Product Code(s): MLILTL33



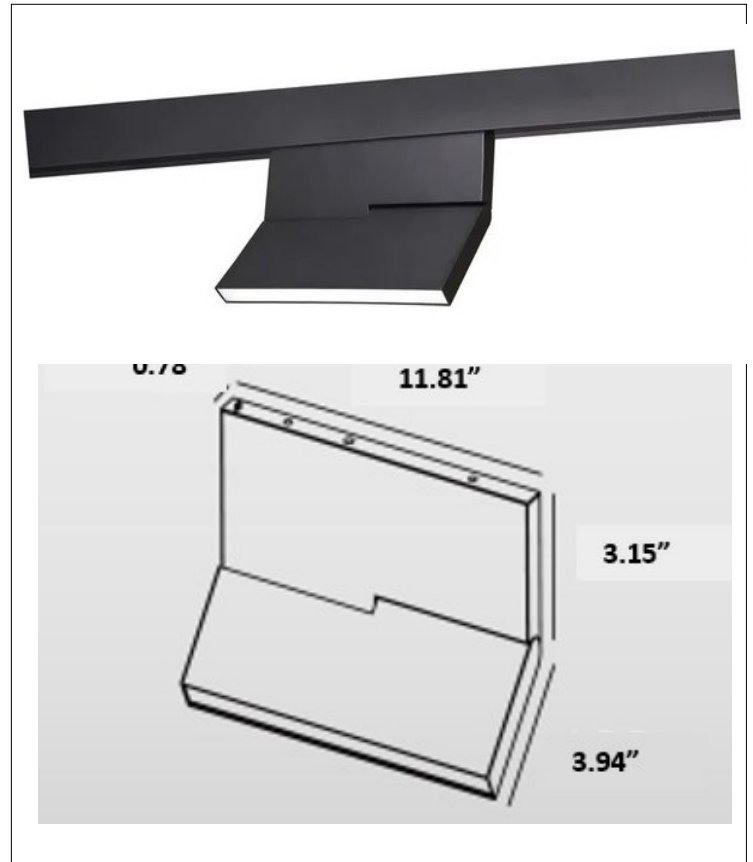
Product Details

Type: Integrated LED – Magnetic Track Light
Usage: Indoor Dry Location
Mounting: Track
Materials: Metal and Acrylic Diffuser

Power: 20W
Voltage: 120-277 V AC
Dimmable: Yes, TRIAC Dimming
Beam angle: 98°
Power Factor: >0.95

Light Source: LED
LED working hours: 30,000
Lumen Output: 1600 Lumens
Luminous Efficacy: 80-90 Lumens/Watt
LED Colour Temperature: 3000K
CRI>90

Dimensions(inch): 11.81 (W) X 7.09 (H) X 0.78 (Depth)



Warranty

36 Months from Shipment

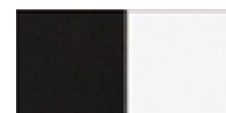
Certification



Powder Coated Finish: Black (BK), White (WH)

** Custom finish as requested

Powder coated finishes



Black (BK) White (WH)

Disclaimer:

- * Product details are subject to change without prior notice
- * Please contact nearest Meomi Lighting team/representative for all engineered solutions requirements
- * Products may vary from the picture(s) provided in this data sheet