

Product: LED – Track Light
Product Code(s): MLILTL32



Product Details

Type: Integrated LED –Track Light

Usage: Indoor Dry Location

Mounting: Track

Materials: Metal and Acrylic Diffuser

Power: 24W

Voltage: 120-277 V AC

Beam angle: 24°

Power Factor: >0.95

Light Source: LED

LED working hours: 30,000

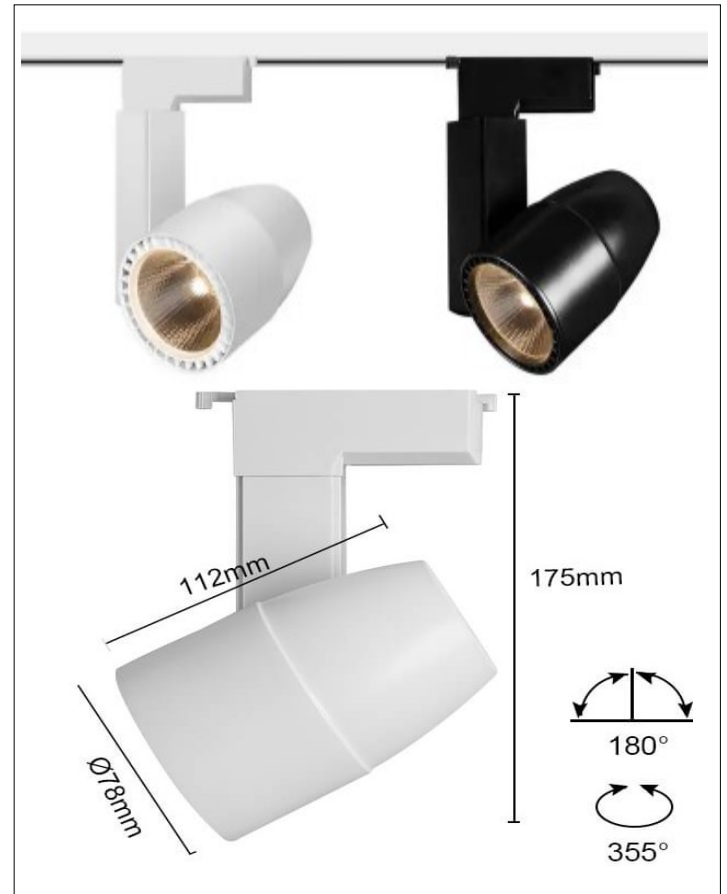
Lumen Output: 1920 Lumens

Luminous Efficacy: 80-90 Lumens/Watt

LED Colour Temperature: 3000K

CRI>90

Dimensions(inch): 3.07 (Dia) X 4.5 (L) X 6.9 (H)



Warranty

36 Months from Shipment

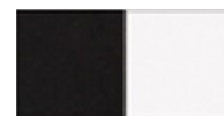
Certification



Powder Coated Finish: Black (BK), White (WH)

** Custom finish as requested

Powder coated finishes



Black
(BK)

White
(WH)

Disclaimer:

- * Product details are subject to change without prior notice
- * Please contact nearest Meomi Lighting team/representative for all engineered solutions requirements
- * Products may vary from the picture(s) provided in this data sheet