

**Product Type: LED - Back Lit Mirror**  
**Product Code(s): MLILMRL17**



Meomi Lighting high quality, smart, trendy Integrated LED Mirrors combine lighting, mirror and smart technologies in one product. Suitable for Washrooms and any Indoor dry locations. They give your washroom a very graceful look with their soft glowing light and classy appearance. They come up with smart features like touch on switch and occupancy sensor which makes them energy efficient.

#### **General Features:**

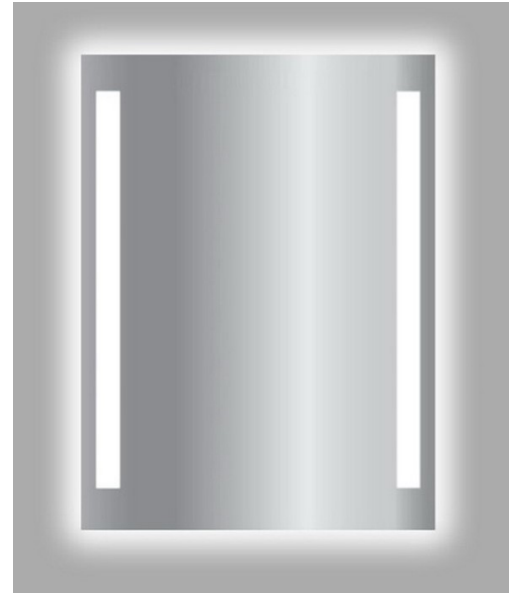
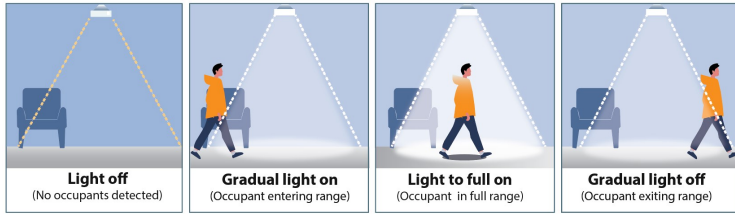
Mounting Style: Wall Mounted  
Shape offering: Rectangle  
Frameless: Yes

#### **Smart Features:**

Touch on Switch: Yes, As Requested  
Occupancy Sensor: Yes, As Requested  
Multi Power and Multi Lumen: Yes, As Requested  
Remote: Yes, As requested  
Anti Fog: Yes, As Requested

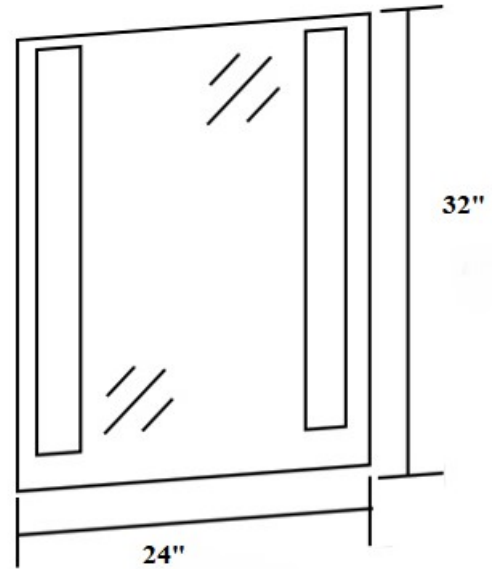
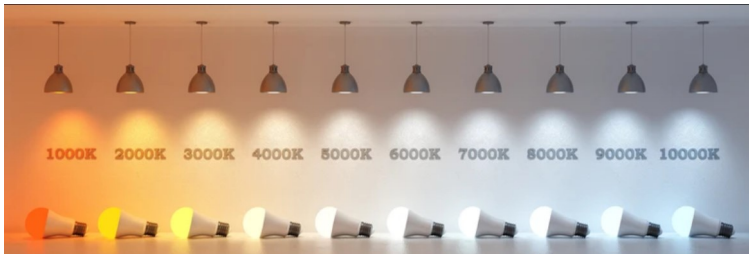
### Why Occupancy Sensor:

Lights on automatically when motion is detected and turns off after 3 minutes when motion is not detected.



### LED colour temp:

Colour temperature refers to the colour of the light source. When it comes to LED lights, our choices include Warm, Cool, Natural or Daylight.



### Electrical and LED details:

Voltage: 120V AC  
Power: 20 Watt  
Light Source: LED  
LED Working Hours: 30,000  
Luminous Efficacy: 70-80 Lumens/Watt  
Lumen Output: 1400 Lumens  
LED Colour Temperature: 3000-6000 K  
CRI>80

### Dimensions (Inch):

24 (W) X 32 (H)  
\*\*custom dimensions available

### Warranty

36 Months from shipment

### Certification



### Disclaimer:

\* Product details are subject to change without prior notice  
\* Please contact nearest Meomi Lighting team/representative for all engineered solutions requirements  
\* Products may vary from the picture(s) provided in this data sheet