

Product Type: Integrated LED Mirror
Product Code(s): MLILMRL09



Meomi Lighting high quality, smart, trendy Integrated LED Mirrors combine lighting, mirror and smart technologies in one product. Suitable for Washrooms and any Indoor dry locations. They give your washroom a very graceful look with their soft glowing light and classy appearance. They come up with smart features like touch on switch and occupancy sensor which makes them energy efficient.

General Features:

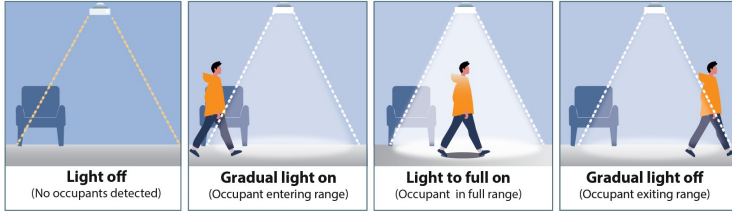
Mounting Style: Wall Mounted
Shape offering: Rectangular
Frameless: Yes

Smart Features:

Touch on Switch: Yes, As Requested
Occupancy Sensor: Yes, As Requested
Multi Power and Multi Lumen: Yes, As Requested
Remote: Yes, As requested
Anti Fog: Yes, As Requested

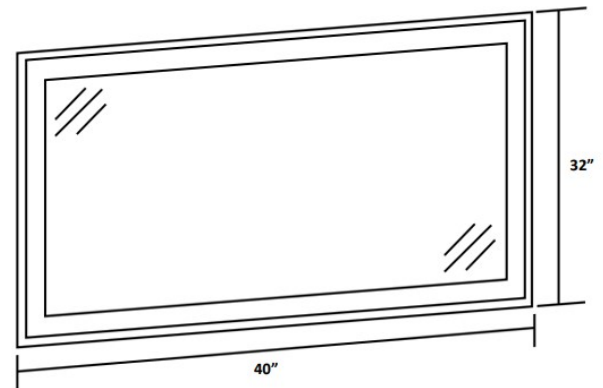
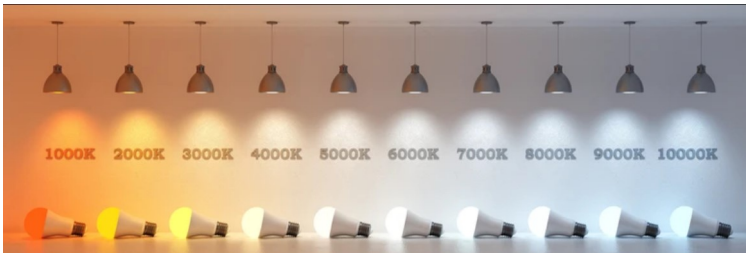
Why Occupancy Sensor:

Lights on automatically when motion is detected and turns off after 3 minutes when motion is not detected.



LED colour temp:

Colour temperature refers to **the colour of the light source**. When it comes to LED lights, our choices include Warm, Cool, Natural or Daylight.



Electrical and LED details:

Voltage: 120V AC

Power: 20 Watt

Light Source: LED

LED Working Hours: 30,000

Luminous Efficacy: 70-80 Lumens/Watt

Lumen Output: 1500 Lumens

LED Colour Temperature: 3000-6000 K

CRI>80

Dimensions (Inch):

40 (W) X 32 (H)

**custom dimensions available

Warranty

36 Months from shipment

Certification



Disclaimer:

* Product details are subject to change without prior notice

* Please contact nearest Meomi Lighting team/representative for all engineered solutions requirements

* Products may vary from the picture(s) provided in this data sheet