

Product: Floodlight
Model Number(s): MLFLXW



Product

Meomi Lighting energy saving high quality floodlight. Made with high efficiency LED chips and high quality materials for all your project needs. Our floodlight come with industry leading warranty package.

LED Details

Luminous Efficacy: 100/130/140/150 Lumens/Watt
CRI \geq 70 or 80
Colour Offerings: 3000-6000 K
Life: 50,000 Hours
Beam Angle:45 $^{\circ}$ -120 $^{\circ}$

Electrical

Voltage:100-277 VAC
Power: 10/20/30/40/50/60/70/80/100/150/200/240
& 300 Watt Offerings
Power Factor \geq .90
Photocell: Optional
Dimmable: No

Materials

Extruded aluminium black housing
Aluminium heat sink directly attached
High quality LED chips
Clear glass covering



Warranty

60 months from shipment

Certification

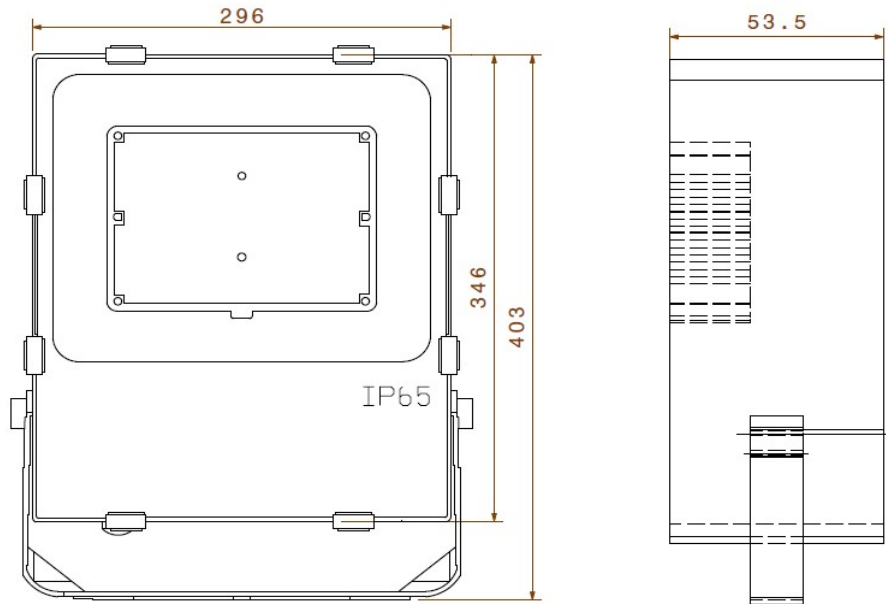


Design Options

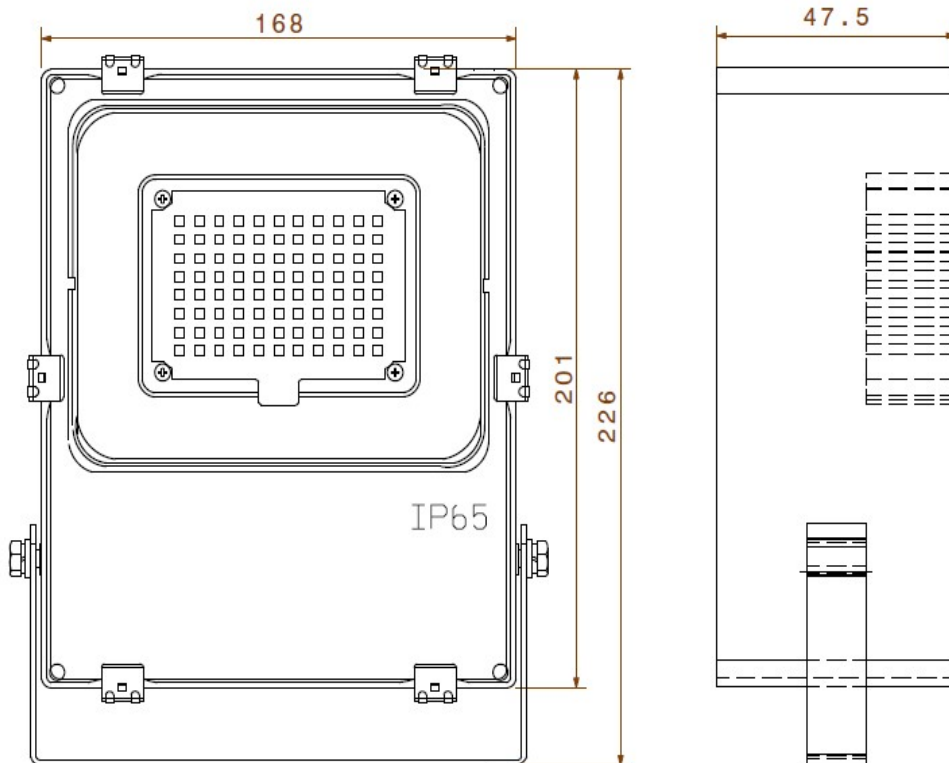


Dimensional Drawings (Dimensions in mm)

100 Watt Floodlight



50 Watt Floodlight

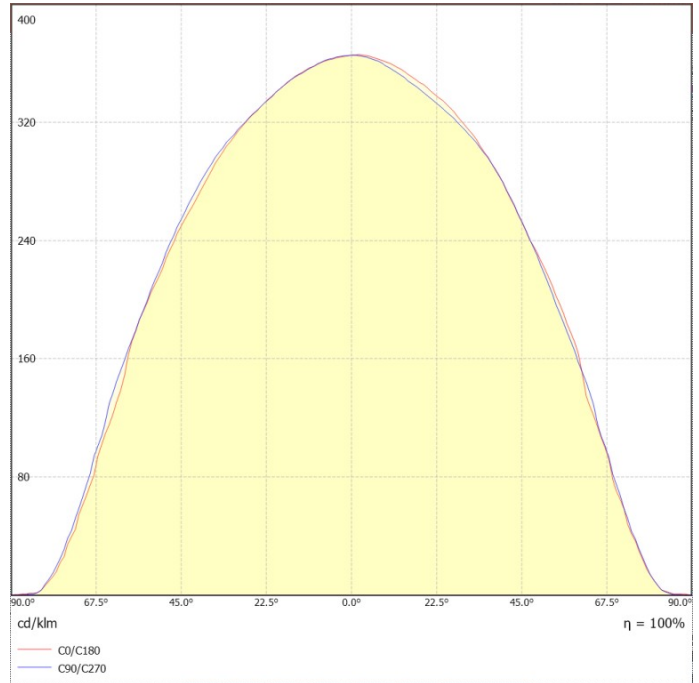
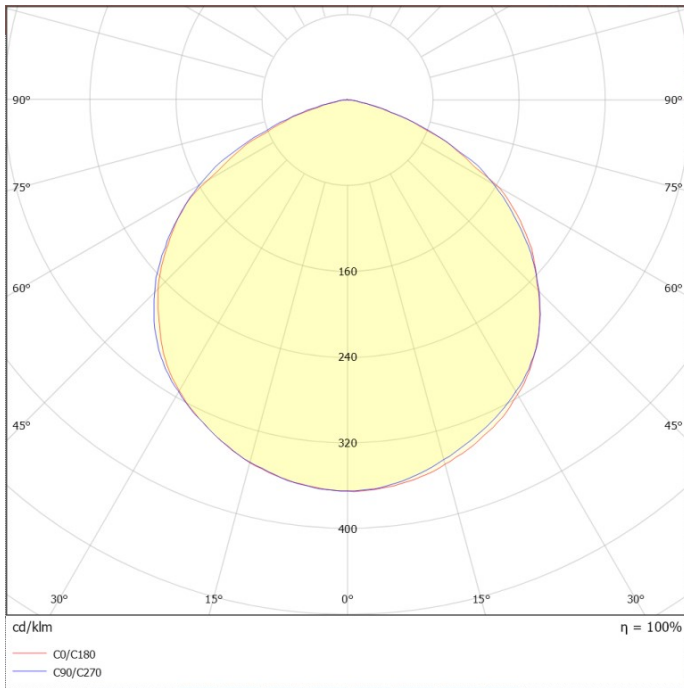


Technical Specifications:

Power (Watt)	Input Voltage (V)	Luminous Efficacy (Lm/Watt)	Lumen Output (Lumens)	Typical CCT (K)	CRI
10	100-277 V AC	100	1,000	3000-6000	70/80
20			2,000		
30			3,000		
40			4,000		
50			5,000		
60			6,000		
70			7,000		
80			8,000		
100			10,000		
150			15,000		
200		20,000			
240		24,000			
300		30,000			
10		130	1,300		
20			2,600		
30			3,900		
40			5,200		
50			6,500		
60			7,800		
70			9,100		
80	10,400				
100	13,000				
150	19,500				
200	26,000				
240	31,200				
300	39,000				

Power (Watt)	Input Voltage (V)	Luminous Efficacy (Lm/Watt)	Lumen Output (Lumens)	Typical CCT (K)	CRI	
10	100-277 V AC	140	1,400	3000-6000	70/80	
20			2,800			
30			4,200			
40			5,600			
50			7,000			
60			8,400			
70			9,800			
80			11,200			
100			14,000			
150			21,000			
200			28,000			
240			33,600			
300			42,000			
10			150			1,500
20						3,000
30		4,500				
40		6,000				
50		7,500				
60		9,000				
70		10,500				
80		12,000				
100		15,000				
150		22,500				
200		30,000				
240		36,000				
300		45,000				

Photometric View:



Please note the following:

- * Product details are subject to change without prior notice
- * Please contact nearest Meomi Lighting team/representative for all engineered solutions requirements
- * Products may vary from the picture(s) provided in this data sheet

Meomi Lighting Inc.
300-22 King Street South
Waterloo, ON
Tel: 226.499.8547
Fax: 519.279.0162

Email: reachout@meomilighting.com
www.meomilighting.com